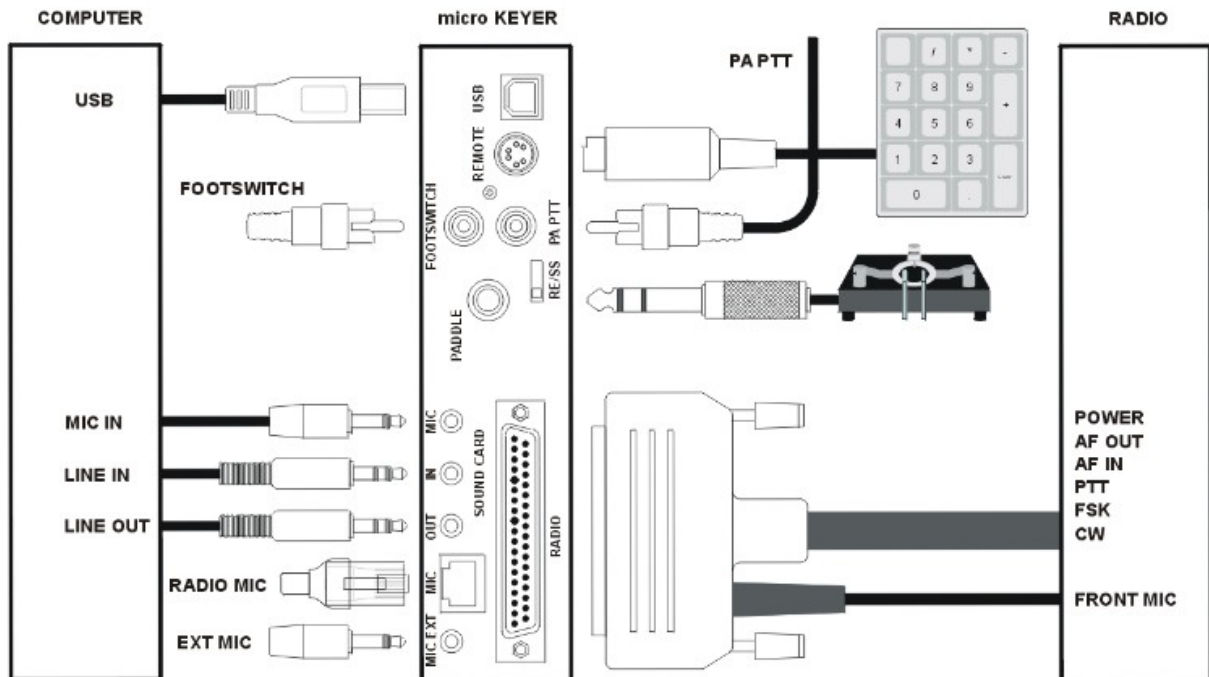


microHAM microKEYER



microKEYER ("MK") is an all mode computer to transceiver interface.



The computer is connected to MK using three (3) standard audio cables and one A-B USB cable. The transceiver and MK are connected by a single radio cable terminated on one side by a DB37M and on the other side by plugs appropriate for the specific transceiver. The cable carries power for MK, audio, CATcontrol and keying. A second cable from the DB37 connects to the transceiver's microphone

jack. The remaining connectors on the rear panel of the MK support optional accessories like foot switch, paddle, microphone, and keypad. MK works with or without a computer. Switching between modes is fully automatic.

CW KEYER is a powerful CW USB interface/memory keyer based on K1EL WinKey chip and micro KEYER design. CW Keyer provides the unmatched CW features plus an audio interface controllable through provided software. No COM or LPT port necessary, just USB port and Sound card. Complete PC<-> Radio isolation. Unique Mic/Sound Card/Radio audio switching for CW, RTTY and SSB with audio recording features. Much more.

Includes microKeyer, DB37 cable for a Kenwood radio (\$95.00 on web site), Foster 8 to RJ45 Adapter (\$19.00) and PS/2 Numeric Keypad)\$29.00).

Priced to sell all for \$120.00

Ken Mitchell
KD2KW
kd2kw@yahoo.com
972-704-3855 (H)
713-301-1102 (C)

Manual at: https://www.microham.com/Downloads/MK_English_Manual.pdf